

**NEW IN STOCK**

**Pedders SportsRyder Euro Brake Pads**

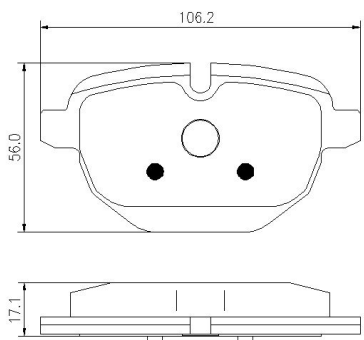
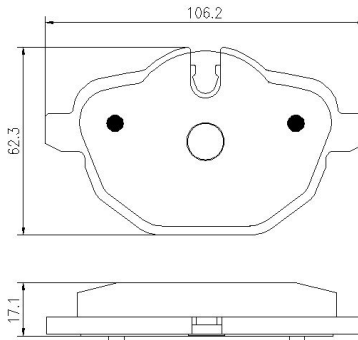
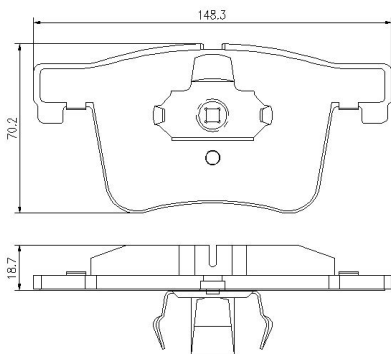
Part #	Make & Model	F/R	Description

Pedders SportsRyder EURO Kevlar Ceramic brake pads are formulated for the spirited performance standards and design aesthetics that are unique to European makes. Most European drivers seek a driving experience using vehicle-handling techniques that are focused on braking.

This driving style is unforgiving on brake pads making quality critical. Pedders SportsRyder Euro brake pads successfully addresses SportsRyder performance specific requirements of European makes, providing vehicle control and response as the manufacturer intended.

**Features and Benefits:**

- Specifically engineered to hold a high coefficient of friction under extreme usage.
- Positive moulded and hot pressed at over 6,000 psi ensuring consistent friction density.
- Low noise, consistent performance, longer lasting and rotor friendly.
- True Kevlar ceramic formula that keeps wheels cleaner.
- 20% more stopping power.
- Shimtech dual rubber backed shims offering 6 times more noise reduction as compared to steel shims.
- Thermal scorched for fast break-in.
- Outstanding braking performance.
- Approved ECE R90 regulation.
- Kevlar-enhanced to prevent high temperature glazing resulting in brake fade.



All photos used are for illustrative purpose only.

For further information please contact your local Pedders Suspension specialist or check out [www.pedders.com.au](http://www.pedders.com.au) Note: See our Pedders Suspension catalogue for up to date information.